

Mosa. Tiles.

Mosa Shower Drain®

Product description

A combination of an unglazed, single-fired, fully vitrified floor tile (in accordance with EN 14411 Bla), produced with the Ultragres-process, with a 4 mm circular opening, permanently fixed to a specially designed stainless steel frame, and a high quality shower drain made by Easy Drain® with a watertight membrane for a permanent watertight wall/floor connection.

Product advantages

Application of the Mosa Shower Drain® provides a unique and at the same time creates a logical appearance of a 100% tiled floor with integrated drainage. Distinctive features are:

- modular size;
- easy installation;
- suitable for new building and renovation;
- no disruption of the tiled floor due to 'strange' materials;
- no silicone joints around the drain; the Mosa Shower Drain® can be grouted along with the rest of the floor tiles;
- large drainage capacity, suitable for rain showers;
- detachable tile element, easy to clean.

A permanently watertight connection between shower drain and floor or wall is achieved due to the watertight membrane, permanently fixed to the shower drain. The Mosa Shower Drain® can be positioned in a corner or directly against the back wall of the shower.

Product specification

Dimensions, surface structure, build-in height and drain capacity

Modular size in cm incl. 3 mm joint	Production size in mm	Surface structure	Build-in height incl. tile	Water trap	Drain capacity
15 x 90 cm	147 x 897 mm	V/RL/RQ*	86 mm 105 mm	30 mm 50 mm	30 l/min. 42 l/min.

* V = flat; RL = Terra Maestricht® structure; RQ = Quartz® structure

Technical data

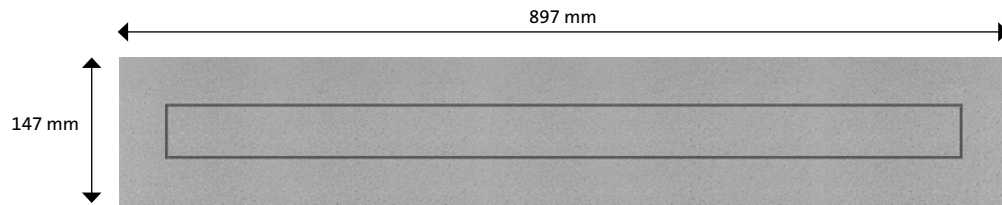
Component	Specification	Norm	Extra information
Floor tile	Unglazed Ultragres	Product norm EN 14411 Bla	Mosa norm is more stringent than EN-Norm; see also the Technical Product Sheet Floor Tiles Unglazed for enhanced technical information.
Stainless steel frame	Stainless steel 1.4301		
Adhesive	MS-polymer, 1-component	EN 542 (density)	Sustainable polymer high-density adhesive; resistant to high temperatures and permanent exposure to water; chemically resistant.
Shower drain 30 mm water trap	Stainless steel 1.4301, gauge 1.5 mm, drainage capacity 30 l/min., connection ø 40 mm	EN 1253/2 (min. 24 l/min.)	
Shower drain 50 mm water trap	Stainless steel 1.4301, gauge 1.5 mm, drainage capacity 42 l/min., connection ø 50 mm	EN 1253/2 (min. 24 l/min.)	

Mosa. Tiles.

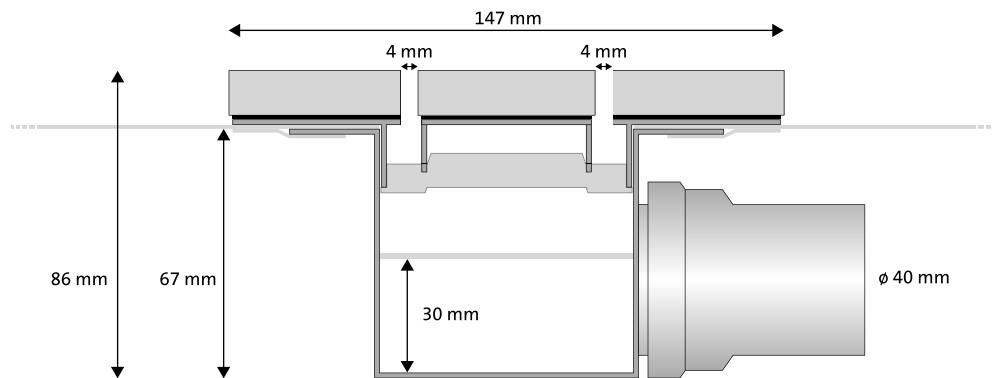
Mosa Shower Drain®

Build-in dimensions

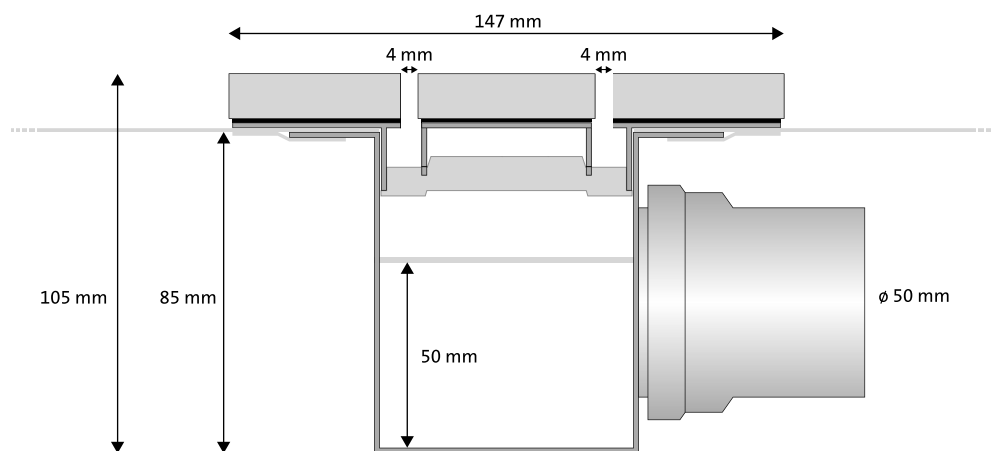
Top view



Profile 30 mm water trap



Profile 50 mm water trap



Mosa. Tiles.

Mosa Shower Drain®

Laying and installation instructions

See comprehensive installation guidelines and demo on www.mosa.nl, chapter 'Documentation'.

Maintenance

Tile frame and detachable tile element of the Mosa Shower Drain® may be cleaned and maintained in the same manner as regular unglazed floor tiles from Mosa. See www.mosa.nl for the latest cleaning and maintenance advices and instruction videos.

The detachable tile element can be easily removed using the orange tile hook supplied with the Mosa Shower Drain® enabling the cleaning of the stainless steel shower drain. This will also permit the removal and cleaning of the removable water trap.

Sampling

showroomservice@mosa.nl; Tel.: +31 (0)43 368 93 23

General inquiries

Sales Support: info@mosa.nl; Tel.: +31 (0)43 368 92 29; Fax: +31 (0)43 368 93 56



Koninklijke Mosa bv

Meerssenerweg 358
P.O. Box 1026
NL-6201 BA Maastricht
T +31 (0)43 368 92 29
F +31 (0)43 368 93 56
info@mosa.nl
www.mosa.nl

The text for this Technical Product Sheet replaces all preceding versions and has been composed with the utmost care and in cooperation with the leading mortar and adhesive producers. All recommendations are based on current state-of-the-art knowledge. This Technical Product Sheet contains information about Mosa products, properties and applications, and therefore may not be used as a guarantee for the stated recommendations. Mosa will not be held responsible should this information be used as a guarantee. For warranties and liability we refer to our General Terms and Conditions of Sale. No rights can be derived from the contents of this Technical Product Sheet. Errors excepted. For the latest version see www.mosa.nl.